

DS-2CD1143G0-I 4 MP Fixed Dome Network Camera



- High quality imaging with 4 MP resolution
- Efficient H.265+ compression technology
- Clear imaging even with strong back lighting due to 120 dB WDR
- Water and dust resistant (IP67) and vandal resistant (IK10)
- EXIR 2.0: advanced infrared technology with long IR range



▪ Specification

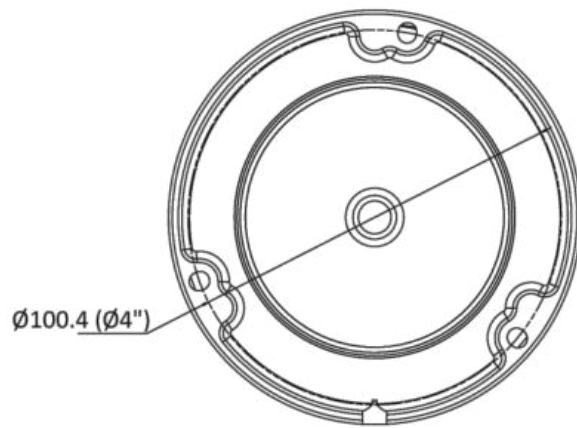
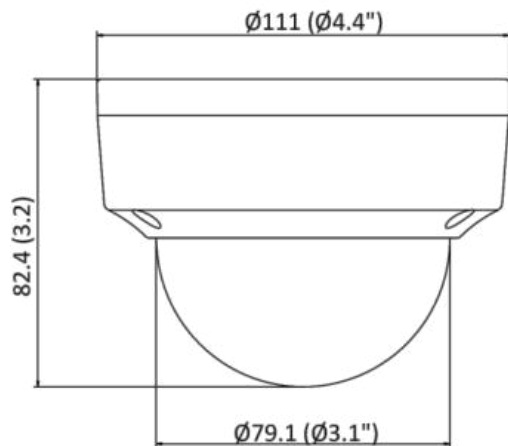
Camera	
Image Sensor	1/3" progressive scan CMOS
Min. Illumination	Color: 0.01 Lux @(F1.2, AGC ON), 0.028 Lux @ (F2.0, AGC ON)
Shutter Speed	1/3 s to 1/100,000 s
Slow Shutter	Yes
Day & Night	IR cut filter
Wide Dynamic Range	120 dB
Angle Adjustment	Pan: 0° to 355°, tilt: 0° to 75°
DNR	3D DNR
Lens	
Lens	2.8 mm, 4 mm
Aperture	F2.0
Focus	Fixed
FOV	2.8 mm, horizontal FOV 98°, vertical FOV 53°, diagonal FOV 115° 4 mm, horizontal FOV 77°, vertical FOV 42°, diagonal FOV 91°
Lens Mount	M12
Illuminator	
IR Range	Up to 30 m
Wavelength	850 nm
Video	
Max. Resolution	2560 × 1440
Video Compression	Main stream: H.265/H.264 Sub-stream: H.265/H.264/MJPEG
H.264 Type	Baseline Profile/Main Profile/High Profile
H.265 Type	Main Profile
Video Bit Rate	32 Kbps to 8 Mbps
Smart Feature-Set	
Region of Interest	1 fixed region for main stream
Image	
Image Enhancement	HLC, BLC, 3D DNR
Image Setting	Saturation, brightness, contrast, sharpness, AGC, white balance adjustable by client software or web browser
Day/Night Switch	Auto/Schedule/Day/Night
Main Stream Max. Frame Rate	50Hz: 20 fps (2560 × 1440) 25 fps (2304 × 1296, 1920 × 1080, 1280 × 720) 60Hz: 20 fps (2560 × 1440) 30 fps (2304 × 1296, 1920 × 1080, 1280 × 720)
Sub-stream Max. Frame Rate	50Hz: 25 fps (640 × 480, 640 × 360, 320 × 240) 60Hz: 30 fps (640 × 480, 640 × 360, 320 × 240)
Network	
Protocols	TCP/IP, ICMP, HTTP, HTTPS, FTP, DHCP, DNS, RTP, RTSP, RTCP, NTP, UPnP, SMTP, IGMP, QoS, IPv6, UDP, Bonjour
API	Open Network Video Interface (Profile S), ISAPI, SDK

Simultaneous Live View	Up to 6 channels
User/Host	Up to 32 users, 3 levels: Administrator, Operator and User
Client	iVMS-4200, Hik-Connect, iVMS-5200
Web Browser	Plug-in required live view: IE 10, IE 11 Local service: Chrome 57.0+, Firefox 52.0+
Alarm Trigger	Motion detection, video tampering, exception (network disconnected, IP address conflict, illegal login, HDD error)
Interface	
Communication Interface	1 RJ45 10M/100M self-adaptive Ethernet port
Approval	
Impact Protection	IK10TVS 2000V lightning protection, surge protection and voltage transient protection
Compression Standard	
H.264+	Main stream supports
H.265+	Main stream supports
General	
Firmware Version	V5.5.111
Web Client Language	English, Ukrainian
General Function	Anti-flicker, heartbeat, mirror, password protection, privacy mask, watermark, IP address filter
Startup and Operating Conditions	-30 °C to 60 °C (-22 °F to 140 °F), humidity: 95% or less (non-condensing)
Power Supply	12 VDC ± 25% PoE: 802.3af, Class 3
Material	Aluminum alloy body
Dimensions	Camera: Ø111 mm × 82.4 mm (Ø4.4" × 3.2") With package: 134 mm × 134 mm × 108 mm (5.3" × 5.3" × 4.3")
Weight	Camera: approx. 360 g (0.8 lb.) With package: approx. 560 g (1.2 lb.)
Power Consumption and Current	12 VDC, 0.4 A, max. 5 W PoE (802.3af, 36 V to 57 V), 0.20 A to 0.15 A, max. 6.5 W
Interface Protection	IP67 (IEC 60529-2013), IK10 (IEC 62262:2002)

▪ Available Model

DS-2CD1143G0-I (2.8/4mm)

▪ Dimension



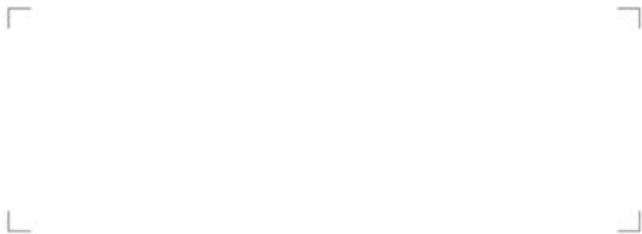
Unit: mm (inch)

▪ Accessory

▪ Optional

DS-1280ZJ-DM18 Junction Box	DS-1276ZJ-SUS Corner Mount	DS-1258ZJ Wall Mount	DS-1272ZJ-110 Wall Mount	DS-1250ZJ Rain Shade
				
DS-1275ZJ-SUS Vertical Pole Mount	DS-1272ZJ-110B Wall Mount	DS-1271ZJ-110 Pendant Mount	DS-1259ZJ Inclined Ceiling Mount	
				

Distributed by

**HIKVISION®****Headquarters**

No.555 Qianmo Road, Binjiang District,
Hangzhou 310051, China
T +86-571-8807-5998
overseasbusiness@hikvision.com

Hikvision USA
T +1-909-895-0400
sales.usa@hikvision.com

Hikvision Australia
T +61-2-8599-4233
salesau@hikvision.com

Hikvision India
T +91-22-28469900
sales@pramahikvision.com

Hikvision Canada
T +1-866-200-6690
sales.canada@hikvision.com

Hikvision Thailand
T +662-275-9949
sales.thailand@hikvision.com

Hikvision Europe
T +31-23-5542770
sales.eu@hikvision.com

Hikvision Italy
T +39-0438-6902
info.it@hikvision.com

Hikvision Brazil
T +55 11 3318-0050
Latam.support@hikvision.com

Hikvision Turkey
T +90 [216]521 7070- 7074
sales.tr@hikvision.com

Hikvision Malaysia
T +601-7652-2413
sales.my@hikvision.com

Hikvision UK & Ireland
T +01628-902140
sales.uk@hikvision.com

Hikvision South Africa
Tel: +27 [10] 0351172
sale.africa@hikvision.com

Hikvision France
T +33[0]1-85-330-450
info.fr@hikvision.com

Hikvision Kazakhstan
T +7-727-9730667
nikia.panfilov@hikvision.ru

Hikvision Vietnam
T +84-974270888
sales.vt@hikvision.com

Hikvision UAE
T +971-4-4432090
salesme@hikvision.com

Hikvision Singapore
T +65-6684-4718
sg@hikvision.com

Hikvision Spain
T +34-91-737-16-55
info.es@hikvision.com

Hikvision Tashkent
T +99-87-1238-9438
uzb@hikvision.ru

Hikvision Hong Kong
T +852-2151-1761
info.hk@hikvision.com

Hikvision Russia
T +7-495-669-67-99
saleru@hikvision.com

Hikvision Korea
T +82-[0]31-731-8817
sales.korea@hikvision.com

Hikvision Poland
T +48-22-460-01-50
info.pl@hikvision.com

Hikvision Indonesia
T +62-21-2933759
Sales.Indonesia@hikvision.com

Hikvision Colombia
sales.colombia@hikvision.com